

ORION

Conventional Fire Detection Control Panel



Available in 3 colours ○ ● ●

The Orion range of conventional control panels features three models with 2, 4 and 8 Zones of detection. Housed in a stylish modern ABS housing, the Orion is the ideal control panel for smaller installations.

Designed and manufactured to comply with the requirements of EN54 parts 2 and 4(1998) the Orion uses active End of Line monitoring to permit head removal protection as required by BS5839. (detector bases must be fitted with Diode)

Programmable Zone coincidence and alarm delay timer (0-10 min) are standard features to help reduce false alarms.

The one man test facility enables simple and rapid testing of the system at commissioning and during maintenance operations.

Features:

- Two, four and eight zone non-expandable control panels
- Up to 32 conventional smoke and/or heat detectors per zone
- Active End of Line monitoring
- Programmable non-latching zones
- Delay timer programmable on/off per zone
- Zone coincidence programmable for adjacent zones
- Three Access Levels
- One man test
- Supervised auxiliary 24 volt output
- 2 supervised/ monitored sounder circuits
- 3 remote inputs used for activation of Class Change, Day/Night mode, and Reset
- 2 Relay outputs fire and fault
- Power supply 1,7A at 28V DC
- Fully EN54 part 2 and 4 compliant
- Repeater output
- Multiplexed output for LEDs and additional relay outputs per zone (GFE-MPX-REL)
- Addressable Loop Interface card (GFE-ADLI)

Orion Mini-Rep



Orion Rep



ORION-INT-RS232



Repeater Interface

GFE-ADLI



Analogue Loop Interface

ORION

Conventional Fire Detection Control Panel



Technical Specifications

Supply Specification	
Primary Supply Voltage - INPUT	85-264 VAC
Primary Supply Voltage - OUTPUT	28.5 V DC nominal
Primary Supply Current - OUTPUT	1.7 A @ 28.5 V DC nominal (max.)
Secondary Supply Voltage	21.0 min. - 27.2 max.V DC -BAT charger o/p 28V DC
Secondary Supply Current Output	1.1 Amp Maximum @ 20°C
Internal Battery Capacity - Maximum	2 x 12V x 7Ah Sealed VRLA Lead Acid Batteries
Mains Fuse	4 A -250V Slow Blow - 20mm
Battery Fuse	1.6 Amp - Resettable
Detection Circuit Specification	
Number of circuits	2,4 or 8
Max. Cable Resistance	40 Ohms
Max. Cable Capacitance	0.470 uF
Zone Current - Quiescent	5 mA maximum
Zone Current - Alarm	60 mA - Maximum
End of Line Monitoring	Active EOL - Capacitor
BS5839 Detector removal Compliant	YES provided diodes are fitted to detector base
Devices per Zone	32 Maximum - EN54 pt.2
Alarm Resistance Value	270 - 1000 Ohms
Sounder Circuit Specification	
Conventional Sounder Circuits	2 - 500mA max. current drive per circuit - fully monitored.
End of Line Resistor	10 K Ohms - 1/4 Watt
Monitoring	Open and Short Circuit
Alarm Voltage	27.5 V DC Nominal
Fuse Rating	1.1 Amp resettable
Auxiliary Outputs Specification	
Auxiliary Relay Outputs	1 Fire (COM-NC-NO) - 1 Fault (COM-NC) non-supervised
Relay Contact Rating	50 V DC - 1 Amp resistive loads
Remote Input Specification	
Evacuation (CC) - Day/ Night Mode	Non-Latching - Voltage free contact
Reset	Non-Latching - Voltage free contact
Mechanical & Operating Spec.	
Max. Humidity	95% RH Non-Condensing
Operating Temperature	0 °C to 40 °C
Weight	1.7 Kg - 7 Kg (inc. 2 x 7AH bat.)
Dimensions	272 (W) x 404 (H) x 107 (D) mm
Order Code	
ORION 2	2 Zones Conventional Fire Detection Control Panel
ORION 4	4 Zones Conventional Fire Detection Control Panel
ORION 8	8 Zones Conventional Fire Detection Control Panel

Global Fire Equipment S.A.

MARF - Armazéns F3 e F4, Sítio do Guelhim, Estoi, 8009-021 FARO, PORTUGAL

Tel: + 351 289 896 560 Fax: + 351 289 865 587



Sales sales@globalfire.pt Technical Support techs@globalfire.pt

NB338

Conventional Smoke Detector

The EN-54 and UL approved conventional NB-338 series smoke detectors are engineered to the best quality and durability in accordance with both EN-54 and UL standards. They work with all conventional and intelligent fire control panels, and security panels as well. NB338 also comes as a multisensor smoke and heat detector. Your perfect choice of reliable smoke detectors that completely meets the most strict testing in both EN 54 and UL certified laboratories.

System Detectors

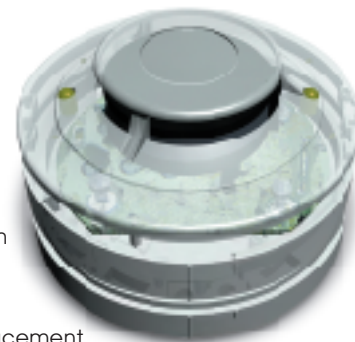
EN-54
Approved

Conforms to
cUL & Vds

UL
Approved

Product Features

- 2 or 4 wire models
- Dual LEDs for 360° visibility
- Advanced detection and discrimination algorithms
- Easy installation and maintenance
- Sleek low-profile housing design
- Durable sensor head. No need for replacement
- SMD circuit board design
- Satisfactory quality and reliability guaranteed
- Integrated heat detector for NB338-2H and NB338-4H models
- Normally-closed(N/C) -Normally-open(N/O) selectable relay output
- Auto Reset (A/R) function for security systems (optional for 4 wire models)
- Detector base option: Regular 100 mm base or Big 125 mm base



The Range Includes

Model	2 wire	4 wire	Smoke Alarm	Heat Alarm	Remote LED	Buzzer	Auto - Reset	12 VDC	24 VDC	UL Approval	EN 54 Approval	CE Approval
NB338-4H-12		X	X	X				X		X	X	X
NB338-4H-24		X	X	X					X	X	X	X
NB338-4-12		X	X					X		X	X	X
NB338-4-24		X	X						X	X	X	X
NB338-2H	X		X	X					X	X	X	X
NB338-2H-LED	X		X	X	X				X	X	X	X
NB338-2	X		X						X	X	X	X
NB338-2-LED	X		X		X				X	X	X	X
NB338-4B-AR-12		X	X				X	X				X
NB338-4B-AR-24		X	X				X		X			X

Sensor Specification

Model	2/4 wire	Thermal	Voltage DC	Standby Current (Max)	Alarm Current (Max)	Surge Current (Max)	Start-Up Time (Max)	Permissible Current (Max)	Frequency	Alarm Sound Level	Alarm contact	Base model
NB338-4H-12	4	57°C	10.5~13.8 V□	100 □A	35 mA		60 sec	80 mA	3-5 sec		Form A	P/N 774912
NB338-4H-24	4	57°C	20.4~27.6 V□	100 □A	35 mA		60 sec	80 mA	3-5 sec		Form A	P/N 774912
NB338-4-12	4		10.5~13.8 V□	90 □A	35 mA		60 sec	80 mA	3-5 sec		Form A	P/N 774912
NB338-4-24	4		20.4~27.6 V□	90 □A	35 mA		60 sec	80 mA	3-5 sec		Form A	P/N 774912
NB338-2H	2	57°C	10.5~40 V	100 □A	40 mA	250 □A	60 sec	80 mA	3-5 sec		-	P/N 772912
NB338-2H-LED	2	57°C	10.5~40 V	100 □A	40 mA	250 □A	60 sec	80 mA	3-5 sec		-	P/N 774912
NB338-2	2		10.5~40 V	90 □A	40 mA	250 □A	60 sec	80 mA	3-5 sec		-	P/N 772912
NB338-2-LED	2		10.5~40 V	90 □A	40 mA	250 □A	60 sec	80 mA	3-5 sec		-	P/N 774912

Smoke Sensitivity : 1.90+- 0.92% ft obscuration (UL 268 standard), 0.10~0.14 dB/m (EN-54 standard)

Start-Up Current : 160 □A maximum

Reset Voltage : less than 1 volt

Reset Time : less than 1 second

Alarm Indicator : LED continuously emitting red light

Remote Output : 15 mA maximum diode gate

Temperature Range: -10°C to 50°C (EN), 0 C~-38.8 C (UL)

Humidity : 0 to 95% RH, non-condensing or icing

Alarm Contact : (for 4-wire) N/O or N/C operation, Form A, 1.0 A @ 30 VDC / 0.5 A @ 125 VAC

Dimensions : 100 mm (dia) x 46 mm (ht) with base

Weight : 130 g with base

IP rating : IP-42

Conventional Manual Call Point (EN-54 approved)



NB-525

EN-54
Approved

The NB525 Series of Conventional Manual Call Point are designed to meet the requirements of EN54 part 11. A perfect choice of super value and durable quality.

Product Features

- EN 54 part 11 Type A approved.
- Alarm indication by a red LED
- 0 current in Quiescent state
- Easy installation and maintenance
- Resettable operating elements
- Operated by finger pressure
- Alarm Impedence can be select by a wire jumper.

Models

Model	2 wire
NB525	Conventional Manual Call Point
NB525-S	Conventional Manual Call Point With Mirco-Switch Output
NB525-4	Conventional Manual Call Point With Relay Output

Specs

Specification	NB525	NB525-S	NB525-4			
Operation Voltage	12V~33V	12V~33V	12V~33V			
Wiring	2-wire	4-wire	4-wire			
Contact Rating	N/A	2A @30VDC	2A @30VDC			
Standby Current	0 mA	0 mA	0 mA			
Alarm Impedence*	Jump On	Jump Cut	Jump On	Jump Cut	Jump On	Jump Cut
	470 Ω	680 Ω	470 Ω	680 Ω	470 Ω	680 Ω
Application	Indoor Use Type A	Indoor Use Type A	Indoor Use Type A			
IP Rating	25	25	25			
Dimensions	92mm x 92mm x 48mm	92mm x 92mm x 48mm	92mm x 92mm x 48mm			
Weight	125g	125g	125g			

• The alarm impedence can also be provided upon request

Conventional Strobe light/Sounder



NB-570

Specs

Operating Voltage:	12 VDC or 24 VDC
Operating Humidity:	0 to 95% RH, non-condensing or icing
Operating Temperature:	-10°C to 50°C
Average Current:	70 mA
Flash Rate:	2 second
Sound Output:	90 dB at 3 m
Light Output:	1.2 W
Light Life:	>30,000 flashes

Models

Model	Power Source	Alarm Current (max)	Sensor Description
NB570-S	12 or 24 VDC	20 mA	Sounder
NB570-L	12 or 24 VDC	100 mA	Strobe Light
NB570-SL	12 or 24 VDC	180 mA	Strobe Light and Sounder

Remarks: L-Strobe Light / S-Sounder

Fire Alarm bell

Fire alarm bell



? MODULAR ALARM BELLS

Basic bell mounting plate to meet installation requirements.

? LOW POWER CONSUMPTION

Enables using bell in sufficient quantity for uniform distribution.

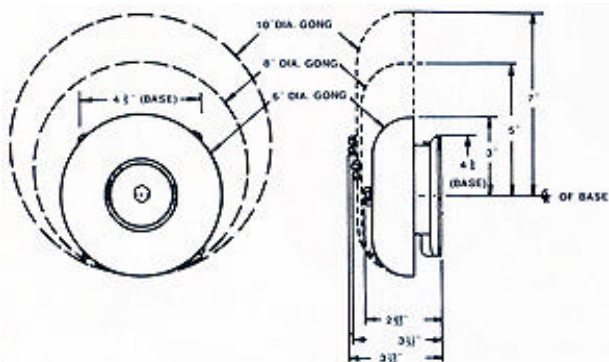
? UNIVERSAL APPLICATION

Available in five DC voltages for polarized circuits, six AC voltages and three gong sizes 6", 8", and 10" for use with most alarm systems.

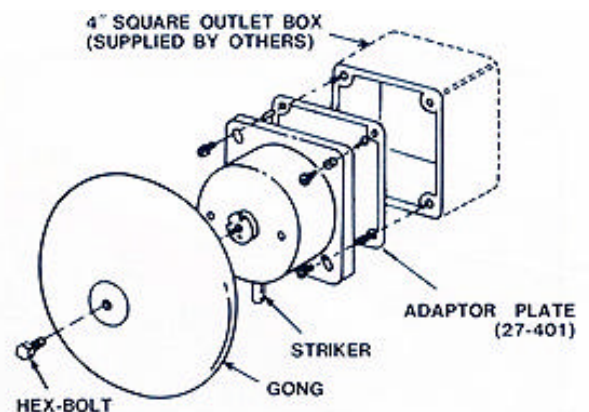
INSTALLATION NOTE /

1. Remove a gong.
2. Wire the bell in the circuit.
3. Mount bell mechanism on 4" square standard outlet box with the striker facing down.
4. Remove a gong.
5. The bell must be mounted a minimum of 8ft., above the floor, or, as close to the ceiling as possible.
6. Polarized bell provides Red(-) and Black(-) lead wires. When you install the bell, must be observed the polarity.

BASIC MECHANISM AND GONGS /



SEMI-FLUSH INSTALLATION /



AUDIBILITY RATING (dB at 10FT)/

MODEL	RATING	6" CONG SIZE		8" CONG SIZE		10" CONG SIZE	
	VOLTAGE	Rated Current	Sound level AT 10 FT db	Rated Current	Sound level AT 10 FT db	Rated Current	Sound level AT 10 FT db
COIL	6VDC	250mA	95	250mA	95	250mA	95
	12VDC	180mA	95	180mA	95	180mA	96
	24VDC	100mA	95	100mA	96	100mA	96
	120VDC	25mA	95	25mA	95	25mA	98
	220VDC	20mA	95	20mA	95	20mA	97